

# PROBLEM SOLVER<sup>®</sup>

## BULLETIN

## LEAKING/WORN STRUTS

ALL VEHICLES

[moogproblemsolver.com](http://moogproblemsolver.com)

### PROBLEM:

#### Leaking/Worn Struts, Caused By:

##### 1. DEBRIS

Debris can enter the seal cavity and lead to premature wear of both the main seal and the piston rod. This causes the strut to leak hydraulic fluid. Fluid loss will lead to further problems, including product failure.

##### 2. PRESSURE SPIKES

Pressure spikes are a rapid rise in the static pressure of the strut's hydraulic fluid. These spikes are caused by shock loads – from rough roads or a single forceful road impact, such as hitting a pothole. Pressure spikes can force fluid past the main seal, resulting in fluid leakage. Pressure spikes can also permanently damage the main seal, which will eventually lead to product failure.

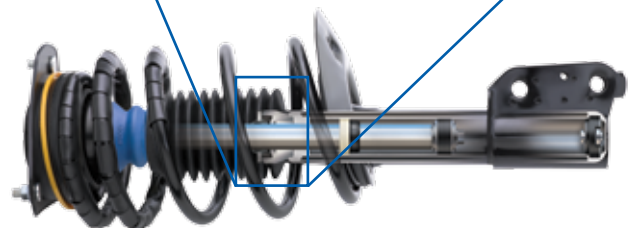
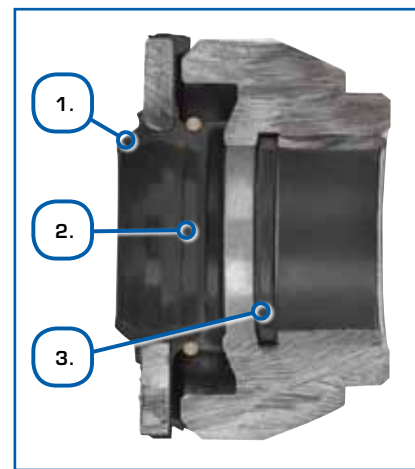


### SOLUTION:

#### MOOG<sup>®</sup> Triple Piston Rod Seal

The problem-solving MOOG<sup>®</sup> Triple Piston Seal offers dual protection to an enhanced main seal, resulting in longer life.

**(1) Outer wiper seal** cleans the piston rod, preventing contaminants from entering the strut and damaging the main seal. **(2) The MOOG main seal** is a one-piece molded design featuring twin seal lips, optimizing sealing performance and durability. **(3) An exclusive inner PTFE buffer seal** absorbs high-pressure fluid spikes caused by rough road impact, improving the efficiency of the main seal, for longer seal life.



*Be Car Care Aware<sup>™</sup>*

**MOOG<sup>®</sup>**  
STEERING & SUSPENSION

FEDERAL  
MOGUL